

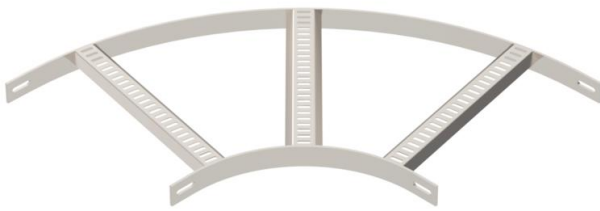
Technical data sheet

90° bend with trapezoidal rung, A2

Item number: 7099156



90° bend for shipbuilding cable ladders, type SL 62, with side height of 40 mm with welded, perforated trapezoidal rungs which open in a downwards direction. Connectors should be ordered separately and in the appropriate quantity.



CE

VA Stainless steel, grade 354/1

2B Bright, treated

Master data

Item number	7099156
Type	SLB 90 62 400 A2
Description 1	90° bend
Description 2	with trapezoidal rung
Manufacturer	OBO
Dimension	B410mm
Material	Stainless steel, grade 354/1
Surface	Bright, treated
Surface standard	
Smallest sales unit	1
Unit of quantity	Piece
Weight	371.6 kg
Weight unit	kg/100 pc.

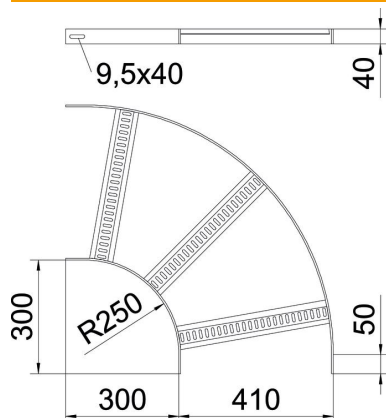
Technical data sheet

90° bend with trapezoidal rung, A2

Item number: 7099156



Dimensions



Width	400 mm
Height	40 mm

Technical data

Bend (angle)	90°
Version of the rungs	Profile perforated
Side rail version	Flat profile
Connector version	Without connectors
Maintain electrical functions	no
Change of direction	Horizontal
Rustproof steel, pickled	yes
Hinged	no
Side perforation	no
Wide-span version	no